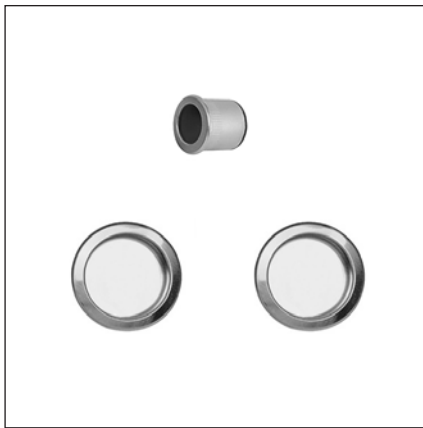


Scivola round - Kit E - round pulls and finger pull, $\varnothing 48$ mm



Description

Kit with brass or steel flush pulls for sliding doors.

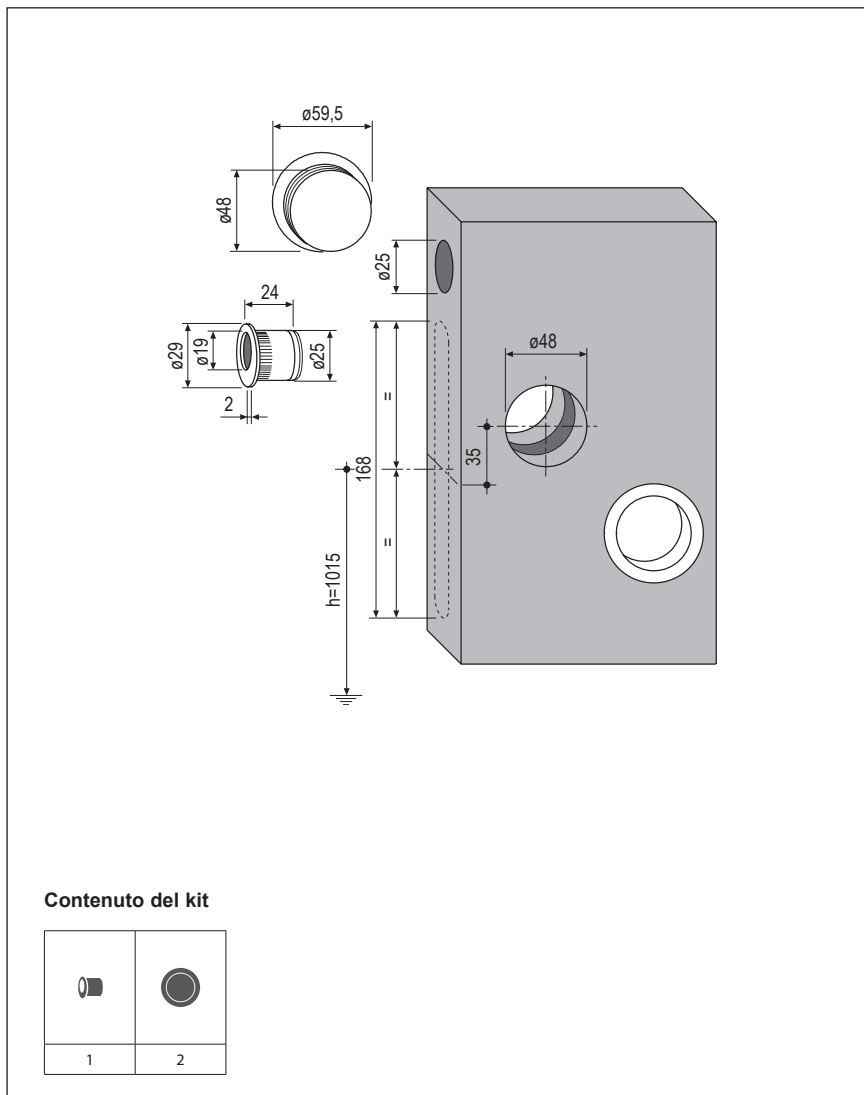
Use

Suitable for concealed, sliding timber doors without lock. Can be used on the second door of double sliding doors.

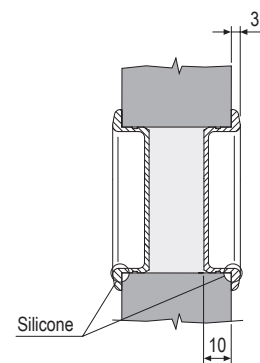
Fastening

The pulls are secured by embedding, aided by silicone. Milling cutters art. Z00005.48.01-48 mm diameter, are available for milling the pull recesses.

Note. All the kit components come in a single package.



HANDLES ASSEMBLY



Order Specifications

Material	Article	
STEEL	B01920.10.XX	

Note. Refer to the price list in force to check the availability of the finishes.