

Scivola - Finger pull, round forend

**Description**

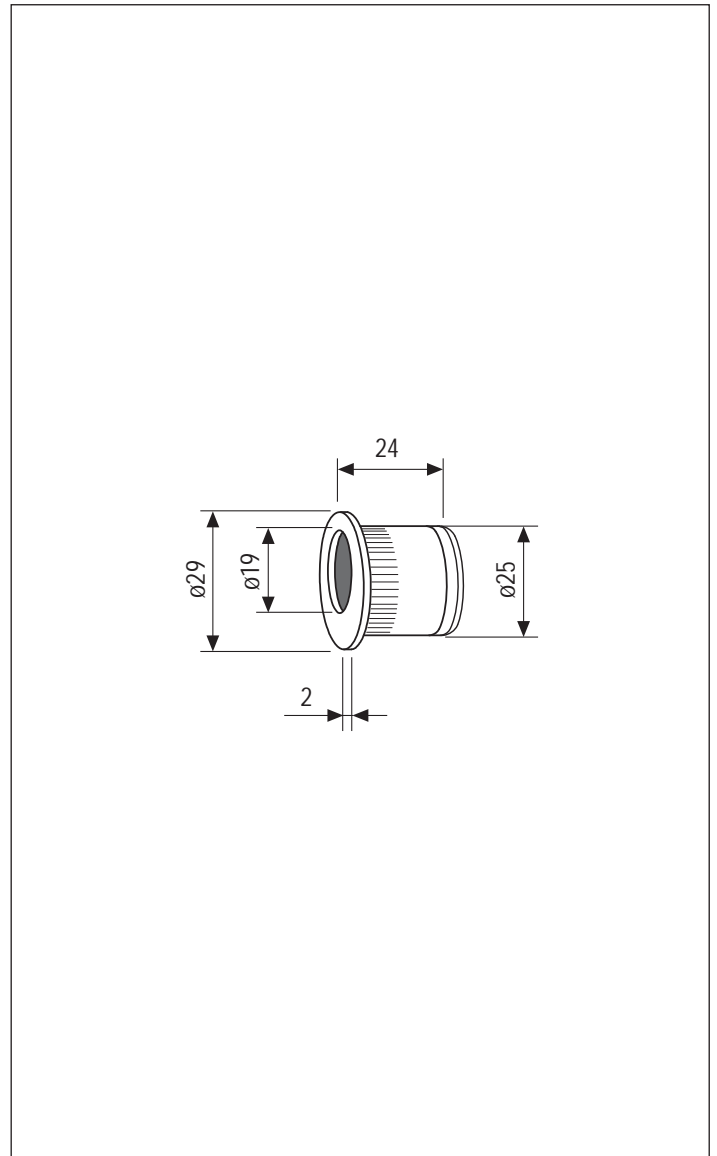
Flush finger pull.

Application

For sliding doors that are pushed back into the wall; used to extract the panel from the frame recess when closing the door.

Mounting

Drill a hole (25 mm diameter x 23 mm depth) in the panel. Insert the finger pull and add silicone to make it fast.

**Order Specifications**

	Article	
	B01910.01.XX	

Note. Refer to the price list in force to check the availability of the finishes.