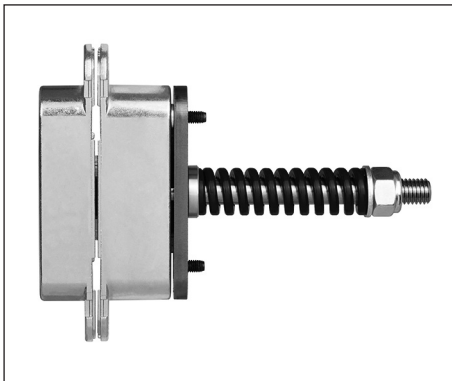


# Eclipse 3.2 Self - concealed hinge with integrated spring closing system

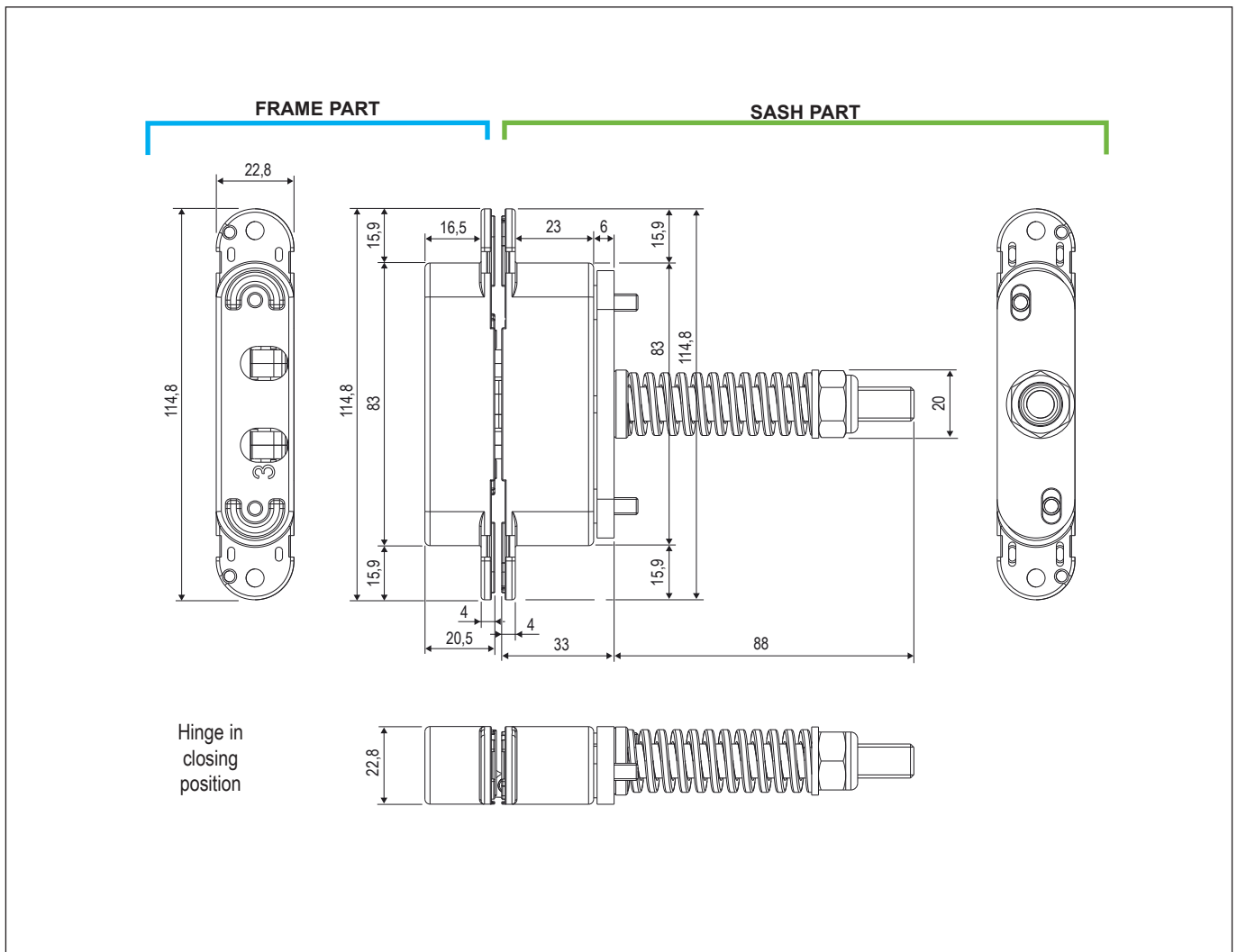


## Description

Reversible concealed hinge with a reduced frame part up to 21 mm.  
Suitable for flush door use with and without rebate and for aluminium doors.  
Possibility to install both flush covers and covers with cover edges.

## Fastening

Mill sash and frame as indicated in the picture and fasten the hinge with  $\varnothing 4,5$  mm screws of a suitable length.

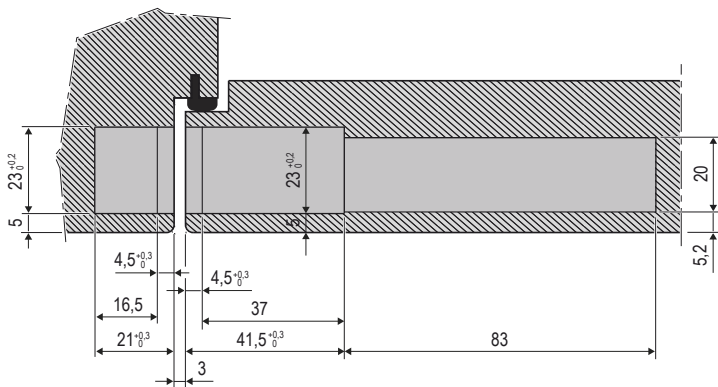
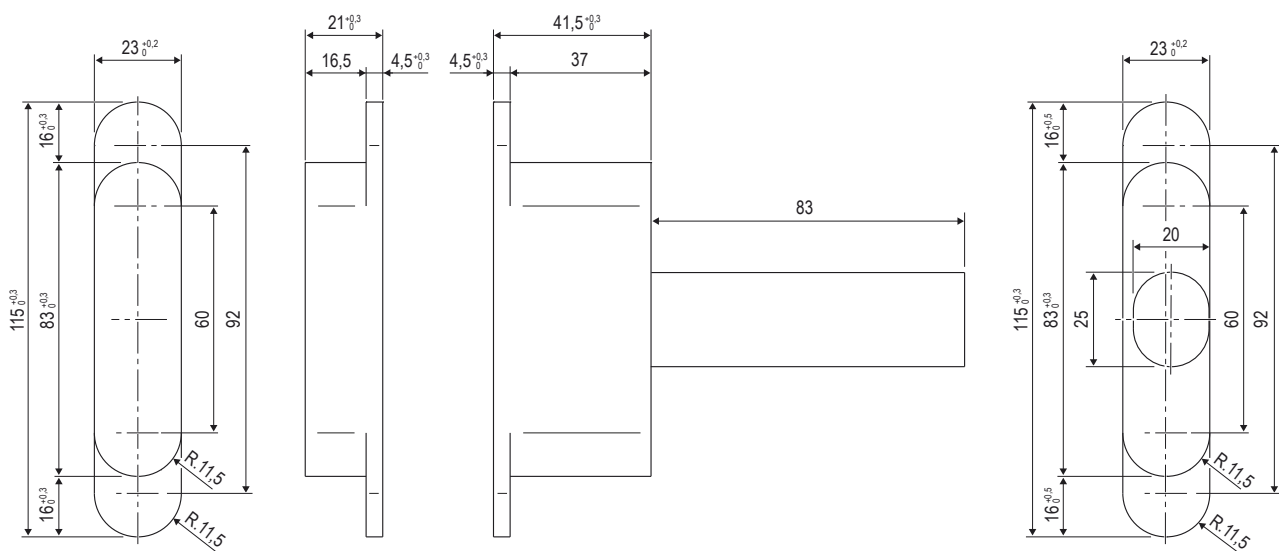


# Concealed hinge with integrated spring closing system

## DRILLING DIAGRAM

### FRAME PART

### SASH PART



### Order Specifications

Article

E39000.03.XX

**Note.** Refer to the price list in force to check the availability of the finishes.